

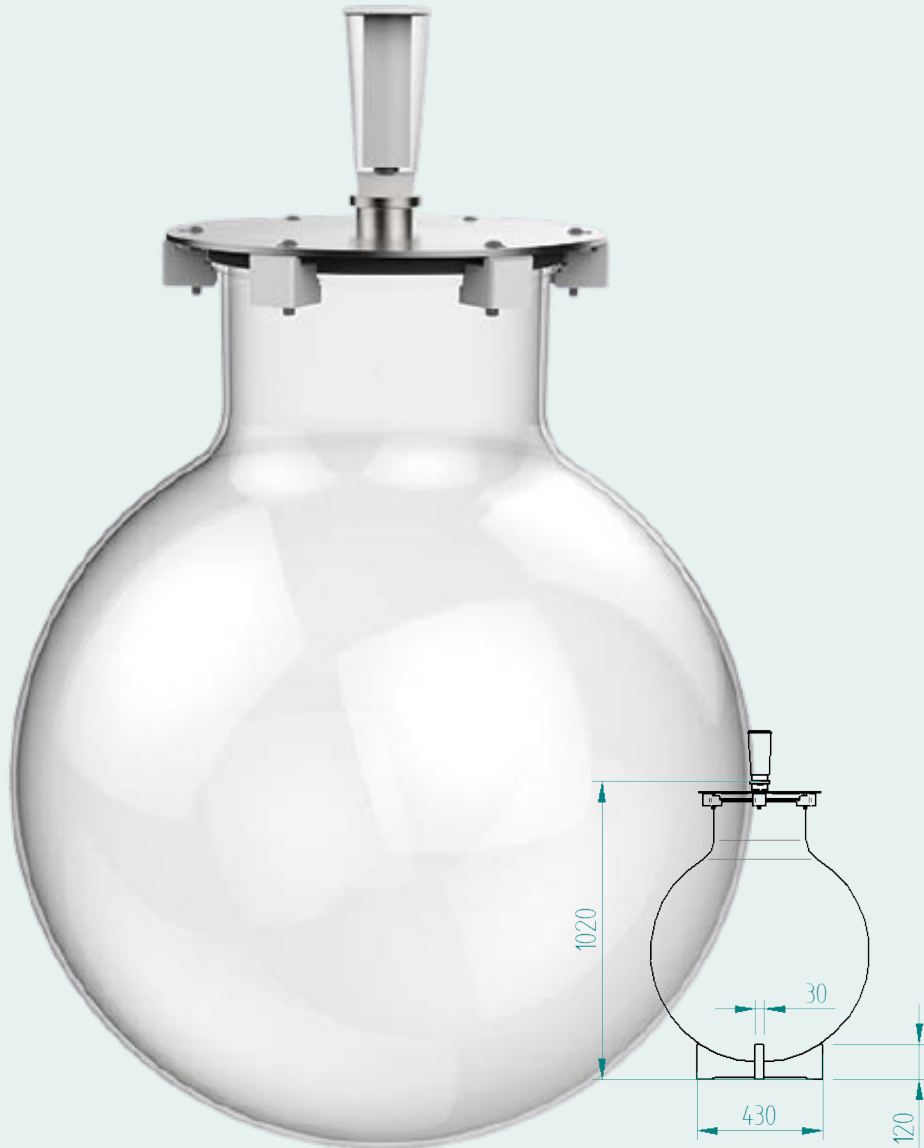
WINE
GLOBE

220 LITRES

CATALOG

20
21

1. THE GLOBE



Volume : 220 litres at the brim



Height : 920 mm



Diameter : 750 mm



Neck's width : 300 mm



Thickness : 7 mm



Net weight : 33.8 kg



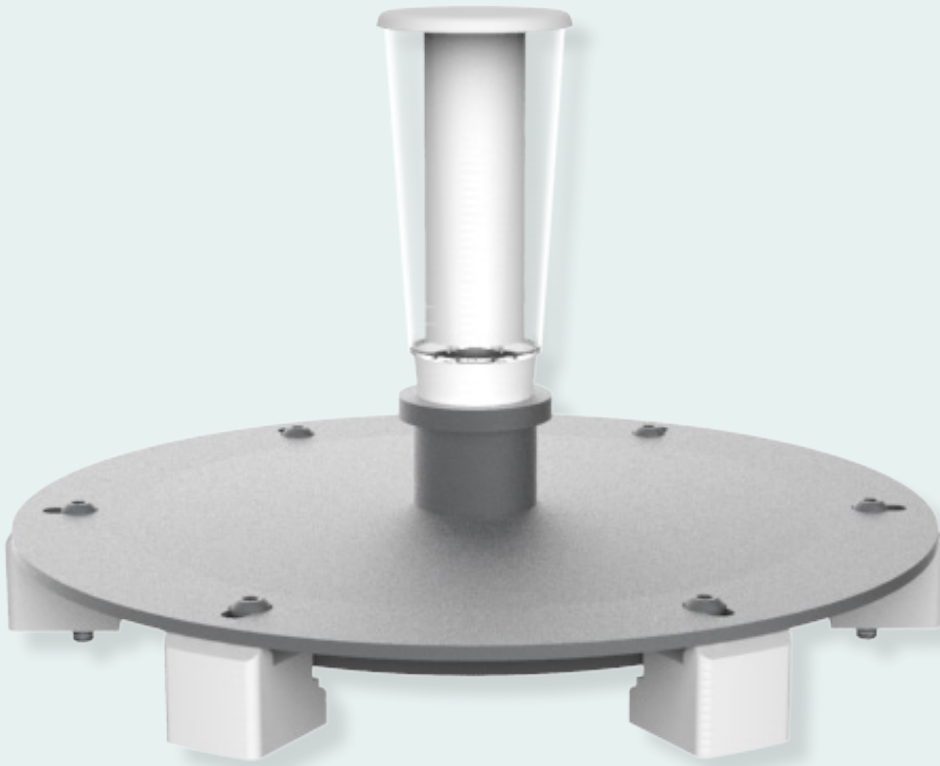
Maximum operating pressure allowance is 0.1bar



The globe is resistant to thermal shock (heating and rapid cooling) up to 90°C

2. THE LID

Designed for filling to the brim (like barrels).



- Stainless steel, brushed finish, slightly curved shape, 6mm thick
- Closing with food-grade Teflon (white or black) or with untreated wooden brackets
- 1 FKM 67 XM 15 – BNIC & FDA seal
- Silicone bung with ø18 hole + bubbler

CHOICE OF BRACKET



3. THE STAND



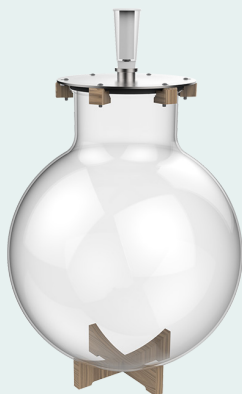
CROSS SHAPE
in Food-grade white
Teflon

- Length : 430 mm
- Width : 430 mm
- Thickness : 30 mm
- Height : 120 mm



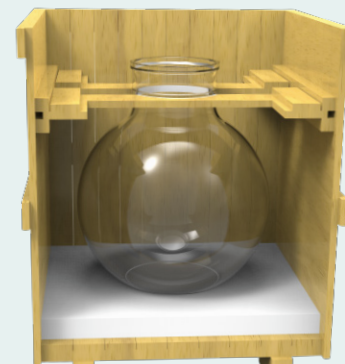
CROSS SHAPE
in food-grade black
Teflon

- Length : 430 mm
- Width : 430 mm
- Thickness : 30 mm
- Height : 120 mm



CROSS SHAPE
in untreated oak

- Length : 380 mm
- Width : 390 mm
- Thickness : 30 mm
- Height : 102 mm



WOODEN BOX
in untreated pine

- Length : 1040mm
- Width : 1040mm
- Height : 1320mm

6 panes, including 2 removables ones.
Stacking option.

3. THE STAND

Designed and made in our
Bordeaux workshop



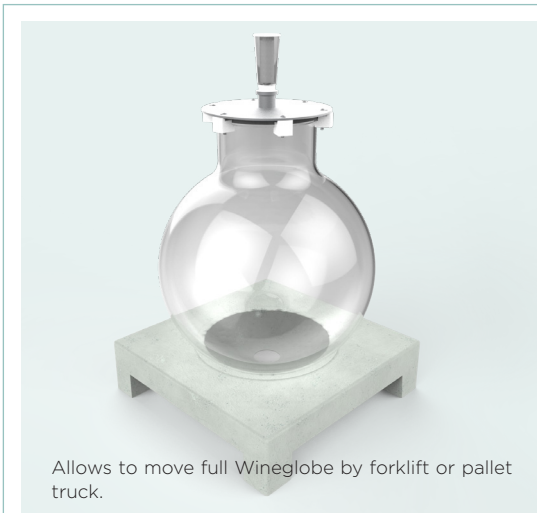
WAVE
in stainless steel
with brushed finish

- Length : 800 mm
- Width : 650 mm
- Height : 120 mm



DESIGN
in stainless steel
with brushed finish

- Length : 810 mm
- Width : 702 mm
- Height : 398 mm

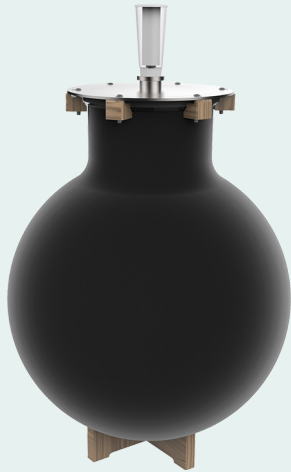


CONCRETE
in waterproof and
fiber-reinforced natural
concrete

- Length: 800 mm
- Width : 800 mm
- Height : 200 mm

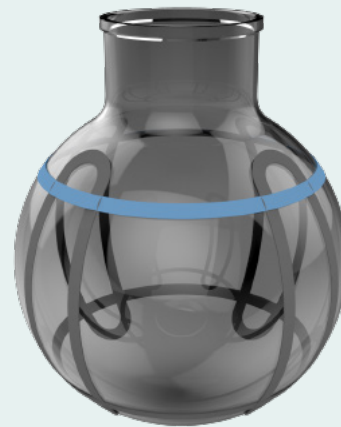
Allows to move full Wineglobe by forklift or pallet truck.

4. THE ACCESSORIES



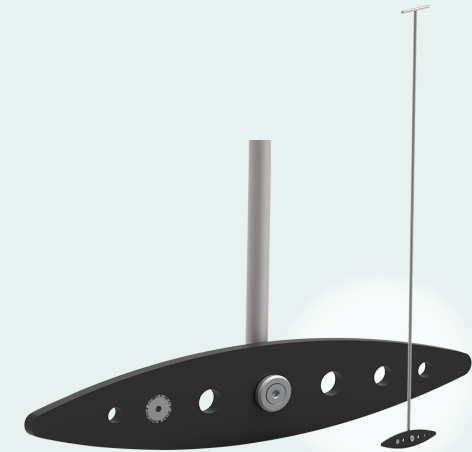
THE PROTECTIVE COVER

- Efficiently protects the Wineglobe from light.
- Easy to slip on/off with the lid in place.
- Material : Lycra.
- Custom-made / handsewn in Bordeaux.



THE HARNESS

- Designed for manual handling of the empty Wineglobe.
- Material : fabric.
- Custom-made / handsewn in Bordeaux.



THE STAINLESS STEEL LEES STIRRER

- To stir the lees back into suspension.
- Material : stainless steel rod and food grade Teflon stirrer.
- Length : 1300 mm.

4. THE ACCESSORIES



THE GLASS BUBBLER

- Siphon system for silicon bung ø30 cm
- Designed to see the wine inside and take sample with a pipette through the glass tube
- Material: borosilicate glass 3.3
- Made in France



THE CUSTOMIZATION OF THE LID

- Possibility to have your logo engraved on the cover ((3 weeks delay)
- Color of the engraving : black
- Made in Bordeaux

FAMILLE PAETZOLD SARL

3700 Avenue de Toulouse • 33140 Cadaujac • France

Phone number : +33 (0)5 57 83 85 83 • contact@famillepaetzold.com

www.famillepaetzold.com