

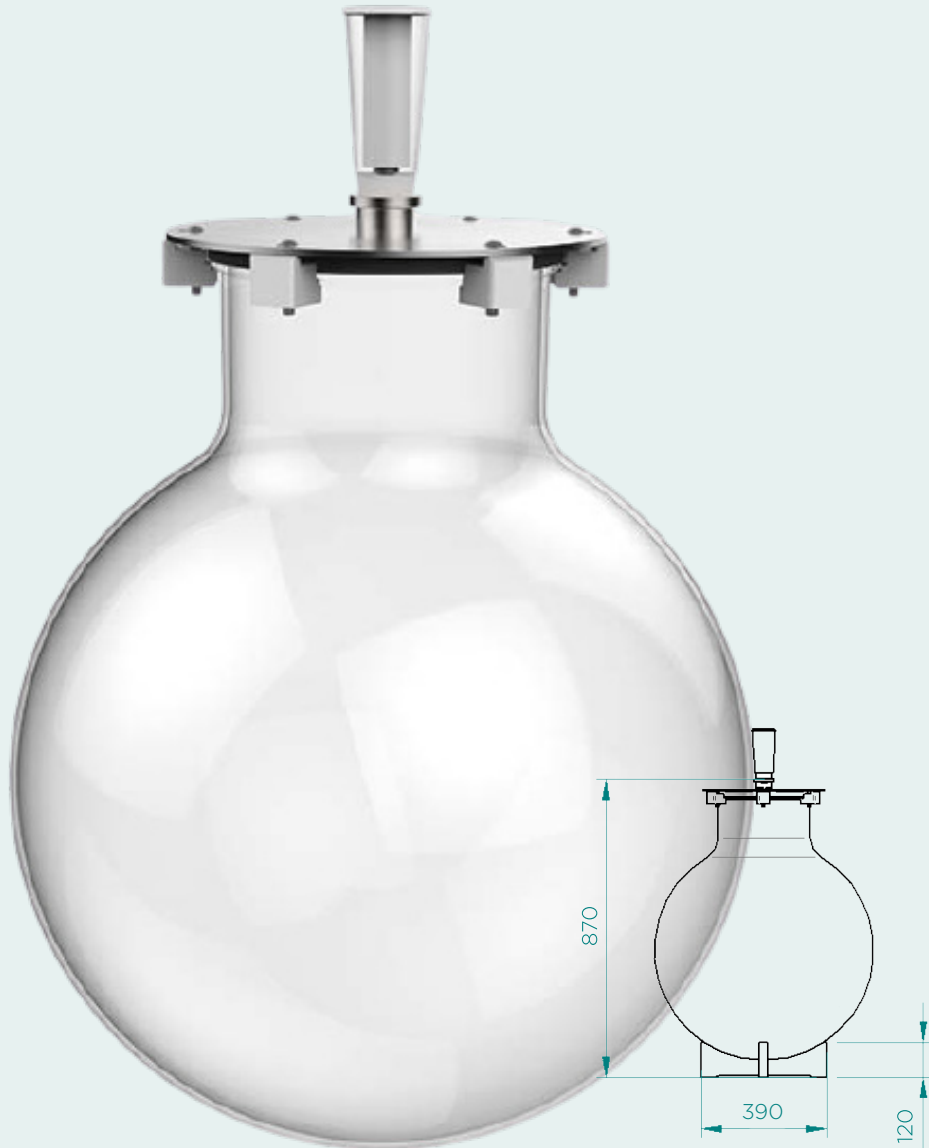
# WINE GLOBE

115 LITERS

CATALOG

20  
22

# 1. THE GLOBE



Volume : 115 Liters



Height : 745 mm



Diameter : 610 mm



Neck's width : 200 mm



Thickness : 6 mm



Net weight : 20.5 kg

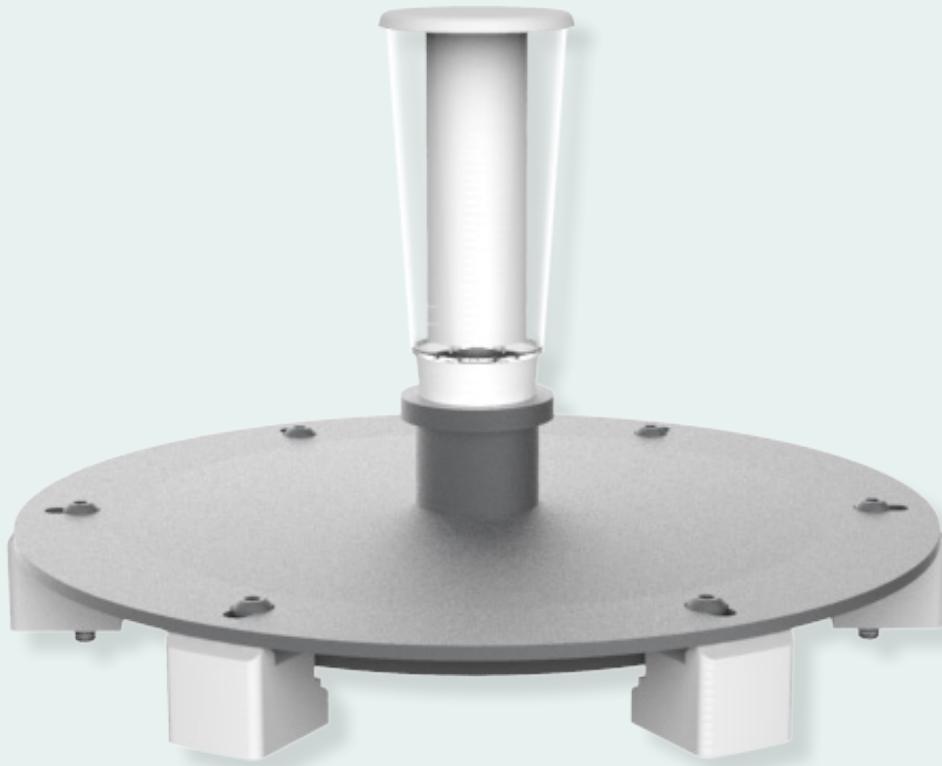


Maximum operating pressure allowance is 0.1bar



The globe is resistant to thermal shock (heating and rapid cooling) up to 90°C

## 2. THE LID



Designed for filling to the brim (like barrels).

- Stainless steel, brushed finish, slightly curved shape, 10 mm thick
- Closing with food-grade Teflon
- 1 - BNIC & FDA toric seal
- 1 Silicone bung with  $\varnothing 18$  hole + 1 plastic bubbler included

# 3. THE ACCESSORIES

 Designed and made in France



**CROSS SHAPE**  
in food-grade white Teflon

- Length : 390 mm
- Width : 390 mm
- Thickness : 30 mm
- Height : 120 mm



**THE PROTECTIVE COVER**  
in lycra material

- Efficiently protects the Wineglobe from light
- Easy to slip on/off with the lid in place

# 3. THE ACCESSORIES

 Designed and made in France



## THE GLASS BUBBLER

The bubbler included with the globe is a plastic bubbler

- Siphon system for silicon bung ø32 cm
- Designed to see the wine inside and take sample with a pipette through the glass tube
- Material : borosilicate glass 3.3



## THE CUSTOMIZATION OF THE LID

- Possibility to have your logo engraved on the cover
- Color of the engraving : black

# FAMILLE PAETZOLD SARL

3700 Avenue de Toulouse • 33140 Cadaujac • France  
Phone : +33 (0)5 57 83 85 83 • [contact@famillepaetzold.com](mailto:contact@famillepaetzold.com)  
[www.famillepaetzold.com](http://www.famillepaetzold.com)