

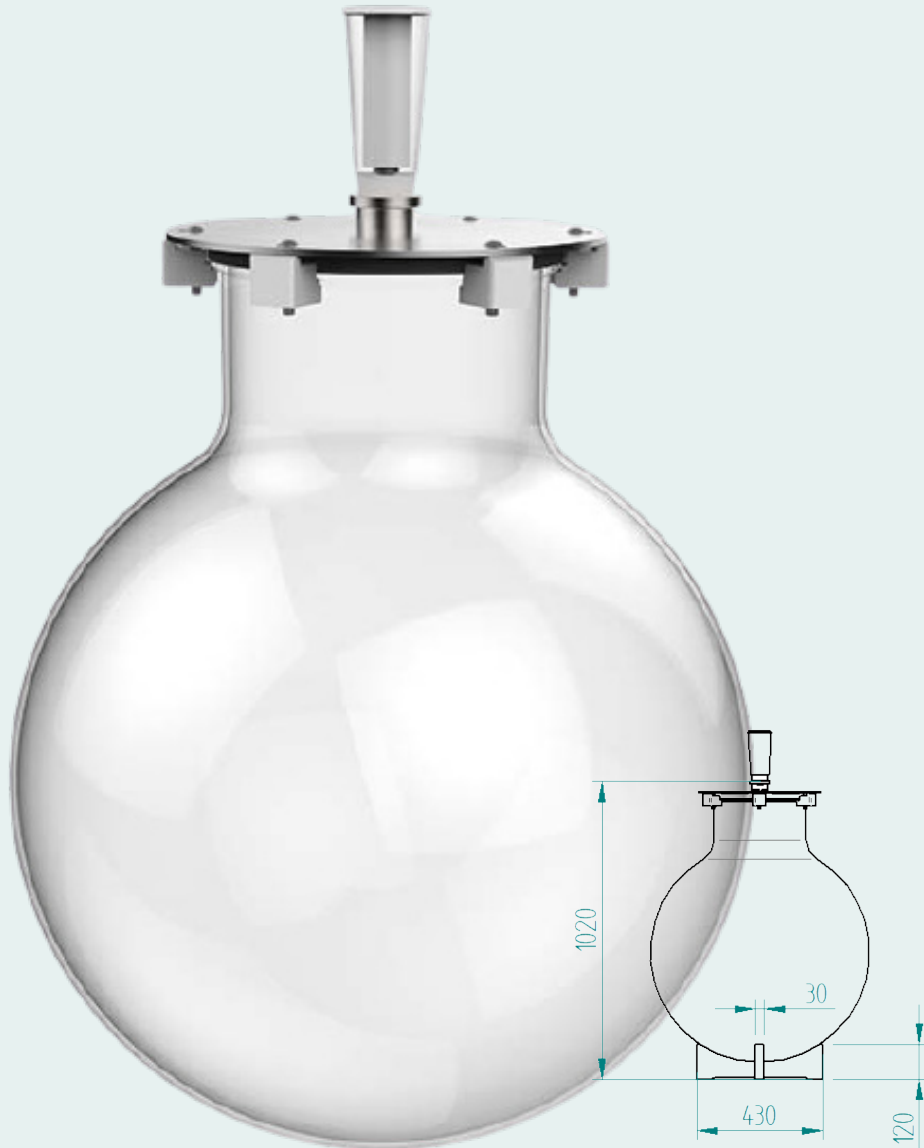
# WINE GLOBE

220 LITERS

CATALOG

20  
22

# 1. THE GLOBE



Volume : 220 liters at the brim



Height : 920 mm



Diameter : 750 mm



Neck's width : 300 mm



Thickness : 7 mm



Net weight : 33.8 kg



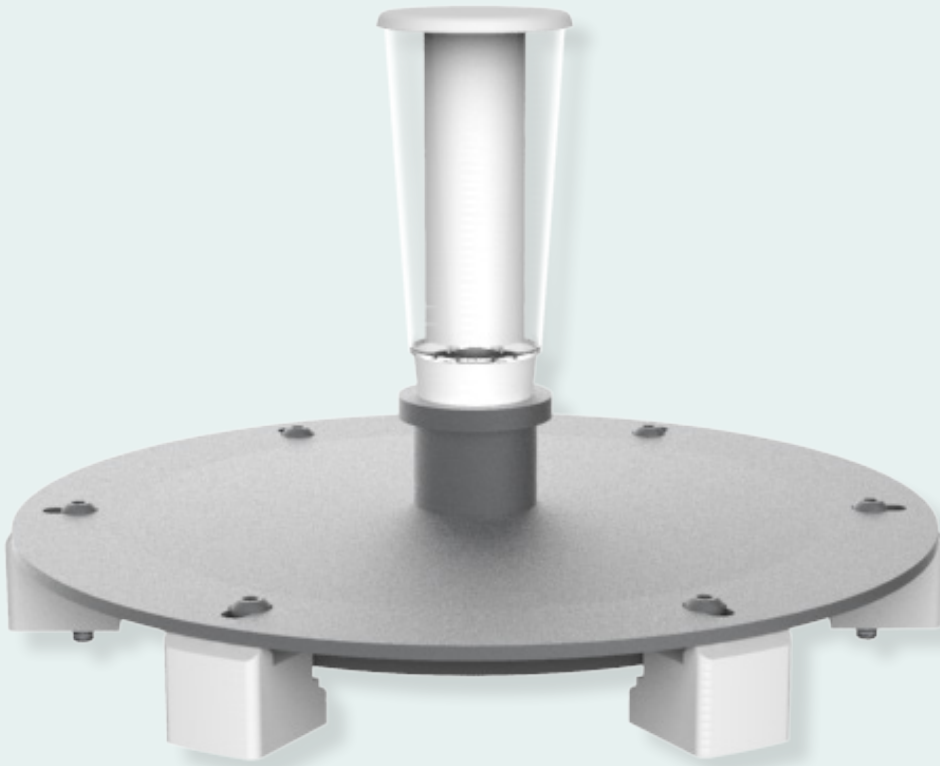
Maximum operating pressure allowance is 0.1bar



The globe is resistant to thermal shock (heating and rapid cooling) up to 90°C

## 2. THE LID

Designed for filling to the brim (like barrels).



- Stainless steel, brushed finish, slightly curved shape, 6 mm thick
- Closing with food-grade Teflon (white or black) or with untreated wooden brackets
- 1 FKM 67 XM 15 – BNIC & FDA seal
- 1 Silicone bung with  $\varnothing 18$  hole + 1 plastic bubbler included

CHOICE OF BRACKET



# 3. THE STAND

 Designed and made in France



**CROSS SHAPE**  
in Food-grade white  
Teflon

---

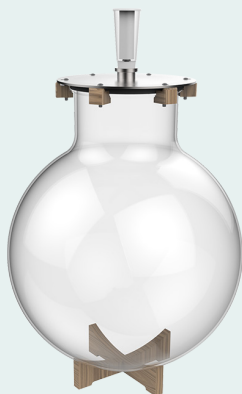
- Length : 430 mm
- Width : 430 mm
- Thickness : 30 mm
- Height : 120 mm



**CROSS SHAPE**  
in food-grade black  
Teflon

---

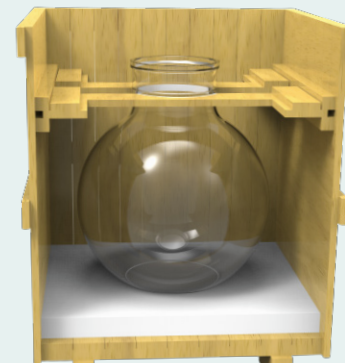
- Length : 430 mm
- Width : 430 mm
- Thickness : 30 mm
- Height : 120 mm



**CROSS SHAPE**  
in untreated oak

---

- Length : 380 mm
- Width : 390 mm
- Thickness : 30 mm
- Height : 102 mm



**WOODEN BOX**  
in untreated pine

---

- Length : 1040 mm
- Width : 1040 mm
- Height : 1320 mm

6 panes, including 2 removables ones.  
Stacking option.

# 3. THE STAND

Designed and made in **MICHAEL PAETZOLD** workshops



**WAVE**  
in stainless steel  
with brushed finish

- Length : 800 mm
- Width : 650 mm
- Height : 120 mm



**DESIGN**  
in stainless steel  
with brushed finish

- Length : 810 mm
- Width : 702 mm
- Height : 398 mm



**CONCRETE**  
in waterproof and  
fiber-reinforced natural  
concrete

- Length: 800 mm
- Width : 800 mm
- Height : 200 mm

Allows to move full Wineglobe by forklift or pallet truck.

## 4. THE ACCESSORIES

 Designed and made in France

 Designed and made in **MICHAEL PAETZOLD** workshops



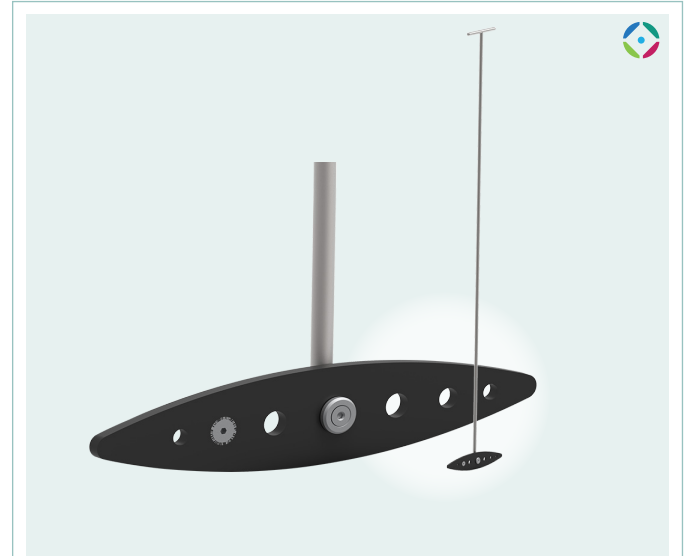
**THE HARNESS**

- Designed for manual handling of the empty Wineglobe
- Ideal for moving, turning upside down, drying out the Wineglobe
- Material : fabric



**THE WASHING STAND**

- Ideal for gathering lees, washing and drying out the Wineglobe
- Ergonomic
- Stainless steel, with anti-scratch pads
- Height : 718 mm
- Diameter : 930 mm



**THE STAINLESS STEEL LEES STIRRER**

- To stir the lees back into suspension
- Material : stainless steel rod and food grade Teflon stirrer
- Length : 1300 mm

## 4. THE ACCESSORIES

 Designed and made in France



### THE PROTECTIVE COVER

- Efficiently protects the Wineglobe from light
- Easy to slip on/off with the lid in place
- Material : Lycra



### THE GLASS BUBBLER

The bubbler included with the globe is a plastic bubbler

- Siphon system for silicon bung  $\varnothing 32$  cm
- Designed to see the wine inside and take sample with a pipette through the glass tube
- Material : borosilicate glass 3.3



### THE CUSTOMIZATION OF THE LID

- Possibility to have your logo engraved on the cover
- Color of the engraving : black

# FAMILLE PAETZOLD SARL

3700 Avenue de Toulouse • 33140 Cadaujac • France  
Phone : +33 (0)5 57 83 85 83 • [contact@famillepaetzold.com](mailto:contact@famillepaetzold.com)  
[www.famillepaetzold.com](http://www.famillepaetzold.com)